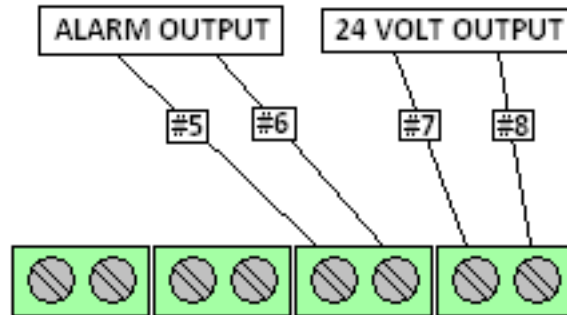
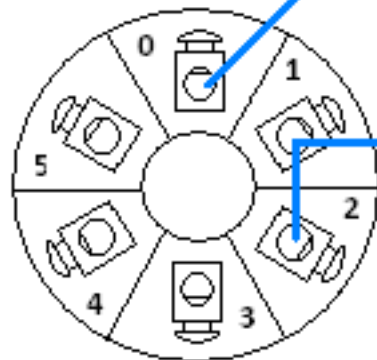


SR500 (REV. 1.XX) ALARM TERMINALS



THE ALARM AND 24 VOLT CIRCUITS MUST BE CONNECTED WITH A JUMPER IN ORDER FOR THE REMOTE ALARM TO FUNCTION PROPERLY.



REMOTE ALARM BASE